

# expression series panel install

## Suggested rear fixing products for use with Expression panels

Please note the products highlighted below as suggestions only, for consideration. Easycraft do not supply any installation accessories with our wall panels.

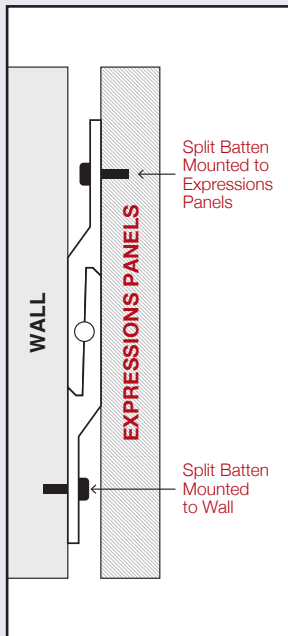
### Striplox

[www.joinlox.com/wp-content/uploads/2017/03/STRIPLOX-Brochure-March-SINGLES-V-10-Final-Low-Res-16-03-17.pdf](http://www.joinlox.com/wp-content/uploads/2017/03/STRIPLOX-Brochure-March-SINGLES-V-10-Final-Low-Res-16-03-17.pdf)



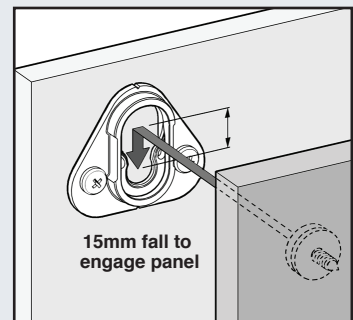
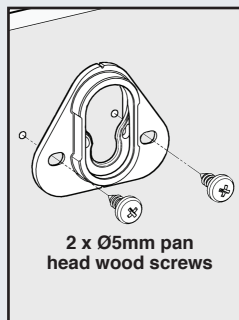
### Split Batten

[www.criterionindustries.com.au/products/aluminium-skirting-geometrics/geometrics/split-batten/split-batton.html](http://www.criterionindustries.com.au/products/aluminium-skirting-geometrics/geometrics/split-batten/split-batton.html)



### Button Fix

[www.laminex.com.au/uploads/brochures/TLG1301%20Button-Fix%20Fabrication%20and%20Installation%20Guide%2010-13-129.pdf](http://www.laminex.com.au/uploads/brochures/TLG1301%20Button-Fix%20Fabrication%20and%20Installation%20Guide%2010-13-129.pdf)



### Disclaimer:

Product manufactured and supplied by Easycraft Australia Pty Ltd does not include with any fixing or installation accessories. The information provide (above) are systems that are available by other manufacturers to use as a blind/secret fixing, for wall panel applications. Easycraft offer no warranty on any installation product used and all care should be taken when hanging boards to ensure framing and installation system is capable and suitable for total weight of boards used.